



## KM 752

### User-friendly Mangle

KM 752 works with the power of three high-pressure rollers to handle your hard to iron textiles. Triple aluminium rollers with a average roller pressure of 560 kg/cm<sup>2</sup> (7965 lbs/inch) gives outstanding result for linens and sheets, etc. The solid construction needs almost no maintenance.

The mangle is incredibly easy to operate. When items are finished, the unique and patented rollers release automatically. Impossible to overload, the mangle will stop, release and lift, allowing you to adjust the load. A finger protection shield prevents the mangle from running if it is not properly in place.

### Details

- High pressure, 560 kg/cm<sup>2</sup> (7965 lbs/inch<sup>2</sup>)
- Unique lift and release function
- Worm gear unit with direct connection from motor to shaft
- Triple aluminium rollers
- Automatic stop, lift and release function if overloaded
- Easy to operate
- Durable iron sheet
- Energy-efficient. No heat needed.

Main Data	KM 752
Roller width, mm (inch)	730 (28,74)
Roller diameter, mm (inch)	120 (4,72)
Roller speed, rpm	14
Roller pressure, kg/cm <sup>2</sup> (lbs/inch <sup>2</sup> )	560* (7965*)
Mangle cloth length, mm (inch)	2500 (98,42)
Part No	151110

\*Average pressure measured inside iron cloth is 150 kg/cm<sup>2</sup> (2134 lbs/inch<sup>2</sup>)

### About PODAB

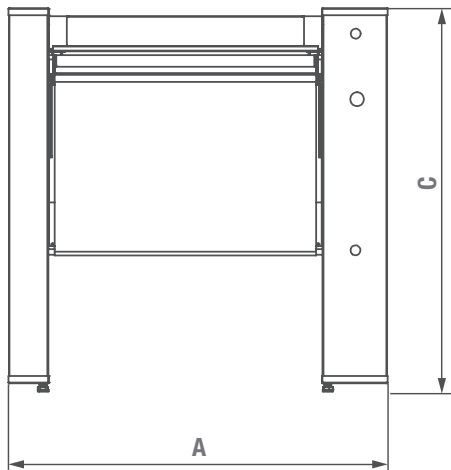
PODAB is a Swedish company that has been in the laundry business since 1945. We develop, manufacture and market quality products at competitive prices for multiple apartment buildings, laundry rooms and for professional use.

### Contact us

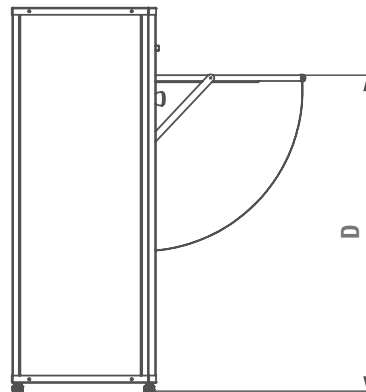
PODAB's head office, warehouse, workshop and export department are situated in Gothenburg, Sweden. If you have any questions, please feel free to contact us at +46 31-752 01 00. You can also read more about us at [www.podab.com](http://www.podab.com).

Mangle		KM 752
<b>Electrical connections</b>	Phase/Voltage/Frequency	3~N/400V/50Hz
	Total effect, kW	0,37
	Fuse, A	10
	Cable length, mm (inch)	2100 (82,7)
<b>Optional extras</b>	Sheet stretcher, plastic, part no	161012
	Sheet stretcher, beech, part no	161037
	Basket, part no	161013
<b>Weight</b>	Net, kg (lbs)	90 (198)
	Shipping data net, kg (lbs)	100 (220)

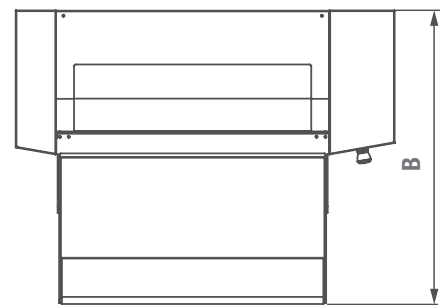
Front



Left side



From above



Dimensions in mm (inch)	A	B	C	D
	Width	Depth	Height	Height to table, mm
<b>KM 752</b>	1060 (41,73)	820 (32,28)	1070 (42,12)	880 (34,64)



2016-06-21\_V2. Changes can be made without prior notice.