

# Installation, operation manual and spare parts list

Cold ironer KM 752

Thank you for choosing the cold ironer KM 752 from PODAB. We hope that it will be of great use for you and ask you kindly to read the instructions carefully.

## **IMPORTANT!**

FOR YOUR SAFETY: the information in this manual must be followed to prevent property damage and personal injury.

NOTE: The paragraphs marked "WARNING" and "CAUTION" appearing in this manual are not meant to cover all possible conditions and situations that may occur. It is very important that water and electricity are handled with great care and respect, by both installation technicians and end users.

# Contents

<b>Safety regulations</b>	<b>4</b>
Important safety instructions	4
<b>Installation</b>	<b>5</b>
Dimensions and specifications	5
Technical information	5
Before you start	5
<b>Installation of the cold ironer</b>	<b>6</b>
Place the cold ironer	6
Electrical installation	6
Function control	6
<b>Maintenance</b>	<b>7</b>
Clean the cold ironer	7
Replace the iron cloth	7
Control the oil level	7
<b>User manual</b>	<b>8</b>
Controls	8
Before you start	9
Start	9
Stop	9
Reverse/release	9
When you are finished	9
Cold ironing techniques	9
If the cold ironer stops	9
<b>Spare parts list</b>	<b>10</b>
<b>Electrical drawing</b>	<b>12</b>
<b>Notes</b>	<b>13</b>

## Safety regulations

Throughout this manual you will find text warnings in text boxes: "WARNING" and "CAUTION". In these boxes you will find the safety measurements you will have to take; end user, service staff or installation staff.

### CAUTION

Indicates hazardous situation that, if not avoided, could cause minor personal injury or property damage.

### WARNING

Indicates hazardous situation that, if not avoided, could cause severe personal injury.

You will also find precautions marked: IMPORTANT and NOTE. These are followed by information of what should be considered.

**IMPORTANT: to inform the reader of special steps that must be taken in order to prevent injuries on the cold ironer.**

**NOTE: to inform what is important to know, but it cannot cause personal injuries or injury on the cold ironer.**

## Important safety instructions

### WARNING

To minimize the risk of fire, electrical shock, personal injuries or death when the cold ironer is in use the following precautions must be followed:

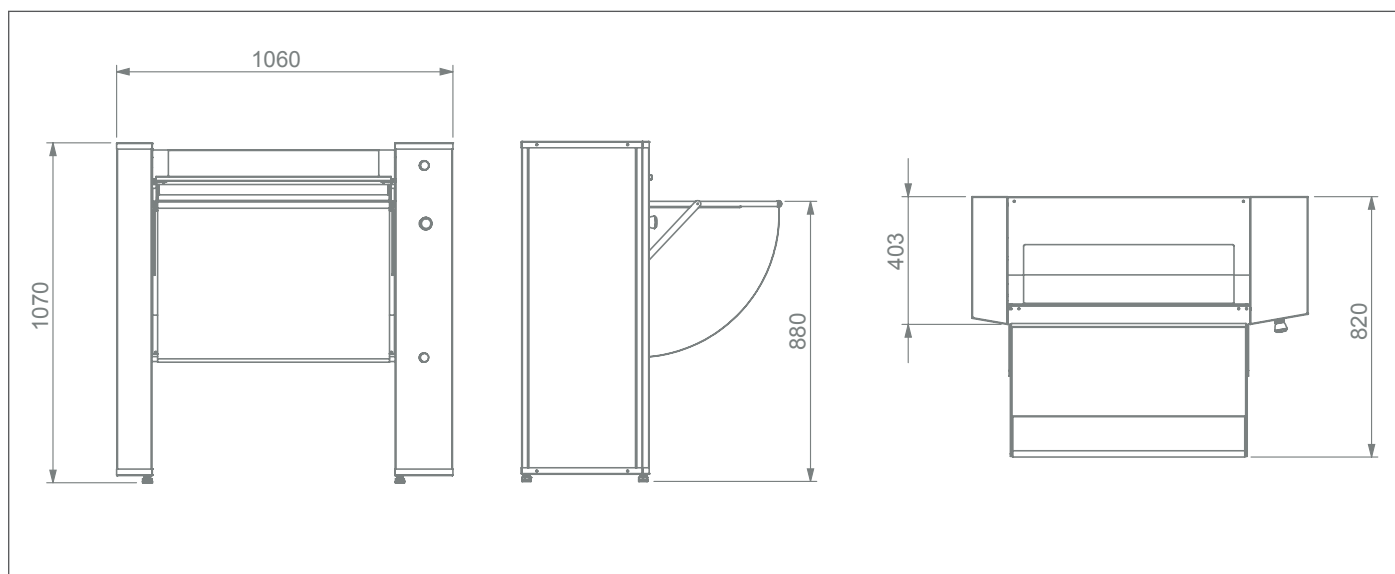
#### (Save the following instructions)

1. Read all instructions before using the cold ironer.
2. Do not allow children to play on or around the cold ironer. Close supervision is necessary when the cold ironer is used near children. This is a safety rule for all appliances.
3. Do not reach for or touch the rollers when they are moving or when they are at rest.
4. Do not install or store the cold ironer where it will be exposed to water and/or weather.
5. Do not tamper with the controls.
6. To reduce the risk of an electric shock or fire, DO NOT use an extension cord or an adapter to connect the cold ironer to the electrical power source.
7. ALWAYS disconnect the cold ironer from electrical supply before service. Disconnect the power cord by grasping the plug, not the cord.
8. Install the cold ironer according to the INSTALLATION INSTRUCTIONS. All connections for electrical power and earthing must comply with local codes. Licensed personnel must be engaged when required.
9. Keep after the cold ironer. If it is exposed for violence there is a risk that certain security functions will stop working. Please contact your nearest service partner if you are unsure of the cold ironer's status.
10. If the electrical cable is damaged, it must immediately be changed by a person with electrical authorization.
11. Never operate the cold ironer with any guards and/or panels removed.
12. If the cold ironer is not assembled after the manufacturer's instructions, there is a risk that the cold ironer can cause personal injuries or injuries on property.

**NOTE: The WARNING and IMPORTANT SAFETY INSTRUCTIONS appearing in this manual are not meant to cover all possible conditions and situations that may occur. Common sense, caution and care must be exercised when installing, maintaining, and operating the cold ironer. Always contact your dealer, distributor, service agent or the manufacturer about problems or conditions you do not understand.**

# Installation

## Dimensions and specifications



## Technical information

Roller width, mm	730
Roller diameter, mm	120
Roller speed, v/min	14
Roller pressure, kg/cm <sup>2</sup>	560
Iron cloth length, mm	2500
Weight, kg	90
Width, mm	1060
Depth max, mm	820
Depth min, mm	403
Height, mm	1070
Height to table, mm	880
Connection	3~N, 400 V, 50 Hz
Fuse, A	10
Total effect, kW	0,37
Motor effect, kW	0,37
Power cable, mm <sup>2</sup>	5 x 1,5
Art no	151110
*Average pressure measured inside iron cloth is 150 kg/cm <sup>2</sup>	

## Before you start

### Tools

You need the following tools to easily install the cold ironer KM 752:

- Cross head screwdriver
- Wrench
- Level
- Torx driver

### Electricity demands

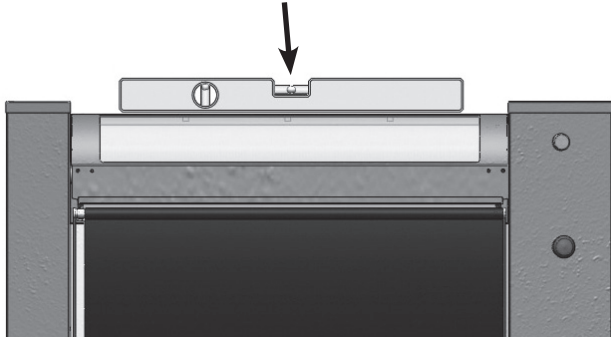
The cold ironer is build to be connected to 3-N, 400 V, 50 Hz and a 10 A fuse. Other voltage on demand.

**NOTE: If the cold ironer is delivered when it is below 0°C, it should be kept inside until it reaches room temperature before it is turned on.**

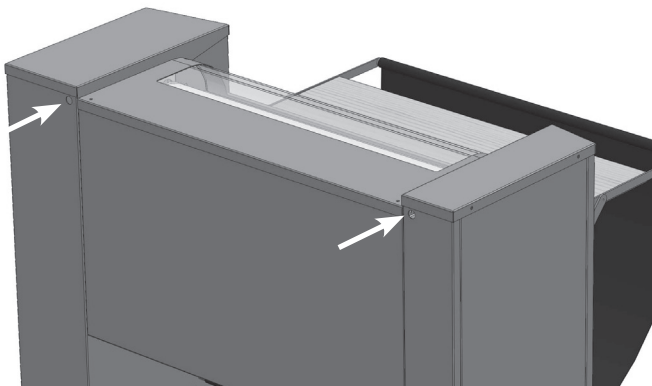
# Installation of the cold ironer

## Place the cold ironer

1. Place the cold ironer in position on a solid, sturdy and level floor. Installing the cold ironer on any type of carpeting, soft tile, platform or other weakly supported structures is not recommended. Place a level on the top of the ironer and check if the cold ironer is level from side to side and front to back.



2. Lift up the feeding table; attach it to the two supports at the base of the ironer.
3. Secure the cold ironer to the wall or anchor it to the floor.



**IMPORTANT:** Always secure the cold ironer to a wall or to the floor.

**NOTE:** If the cold ironer is delivered when it is below 0°C, it should be kept inside until it reaches room temperature before it is turned on.

## Electrical installation

Hard wire the cold ironer to a power switch.

The cold ironer must be earthed. In the event of malfunction or breakdown, earthing will reduce the risk of electric shock. The cold ironer must be properly earthed in accordance with all local codes and ordinances. If the laundry room's electrical supply does not meet the above specifications and/or if you are not sure that the laundry room has an effective earth, have a qualified electrician or your local electrical utility company check it and correct it if needed.

Electrical connection	400V / 3N / 50 Hz
Fuse	10 A
Total effect	0,37 kW

**NOTE:** This cold ironer is factory-wired for a 400 Volt electrical supply.

**NOTE:** The machine must be connected in the correct phase sequence in order to start. KM 752 is equipped with a phase sequence protection relay. A green light will be lit on the relay when the sequence is correct.

## Function control

4. Turn on the power switch
5. Start the ironer by pushing the ON/OFF button
6. Start the process by flipping the manoeuvre shield down, to the position Start/forward. Make sure that the rollers are moving in the right direction and the iron cloth is fed into the rollers.
7. Control the finger protection by flipping the manoeuvre shield down closer to the rollers. The ironer should stop immediately.
8. Control the lift and release function by flipping the manoeuvre shield up, to the position Reverse/release. The rollers turn counter-clockwise and are separated after a few seconds.
9. Restart the ironer by flipping the manoeuvre shield down, to the position Start/forward. Control the emergency stop by pushing the red button. To reset the emergency stop, turn it clockwise.

## WARNING

It is extremely important that the cold ironers finger protection and emergency stop are in function. It can lead to severe personal injuries if the safety devices are out of order.

## WARNING

To reduce the risk of fire, electric shock, serious injury or death, all wiring and earthing **MUST** abide with local electrical codes. It is the customer's responsibility to have the wiring and fuses checked by a qualified electrician to make sure the laundry room has adequate electrical power to operate the cold ironer.

# Maintenance

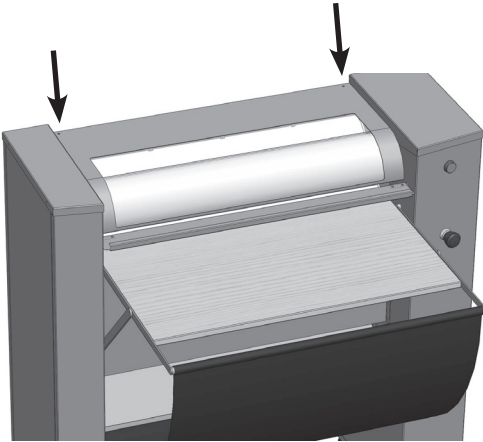
## Clean the cold ironer

Use a damp cloth and mild soap when cleaning the cold ironer. Do not use scouring pads or abrasive cleansers. The rollers need no particular care.

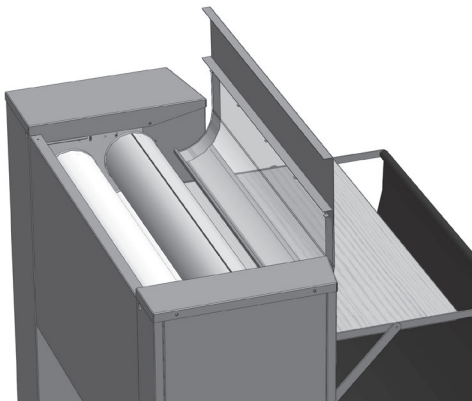
## Replace the iron cloth

Under normal conditions, the iron cloth should be replaced every second year.

1. Place the manoeuvre shield in the position Reverse/ release. Pull out the entire iron cloth.
2. Turn off the incoming power.
3. Remove the two screws that secures the top cover.



4. Flip the manoeuvre shield down, into a horizontal position. Open the top cover and let it rest against the manoeuvre shield.



5. Remove the old iron cloth from the slot of the top roller.
6. Fit the new iron cloth in the slot with the hem facing the rear of the cold ironer.
7. Reinstall the top cover and turn on the power.
8. Place the manoeuvre shield in the position, START/FORWARD and roll up the new iron cloth.

## Control the oil level

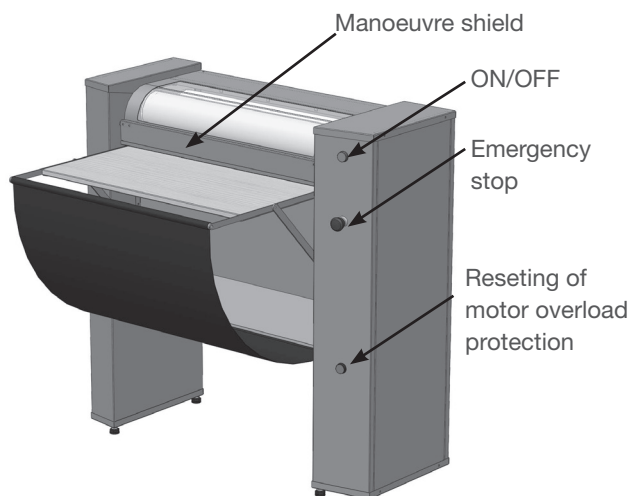
Check the level of oil in the worm gearbox yearly. The gear box is placed on the right side of the ironer. Remove the plug on the right side of the motor to check the oil level.

### WARNING

**To reduce the risk of fire, electric shock, serious injury or death, always disconnect the incoming power to the cold ironer before service and maintenance.**

# User manual

## Controls

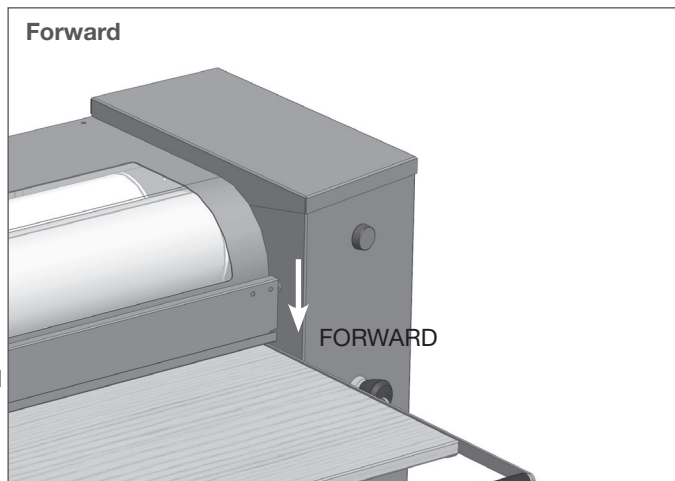
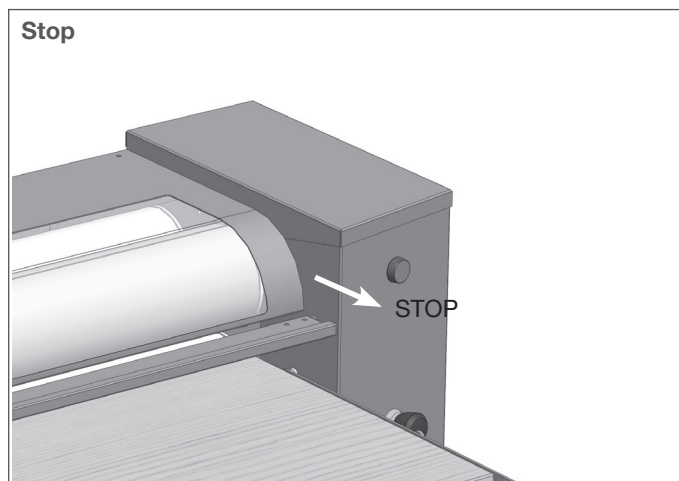
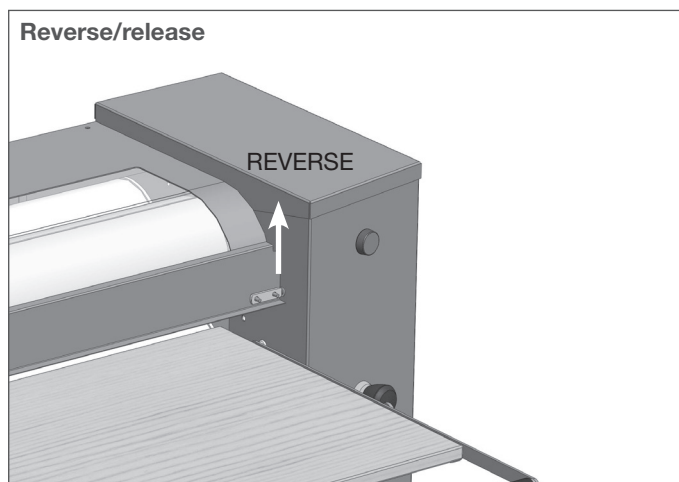


### ON/OFF switch

To operate the manoeuvre shield the ON/OFF switch must be in the position ON. It is indicated by a green light.

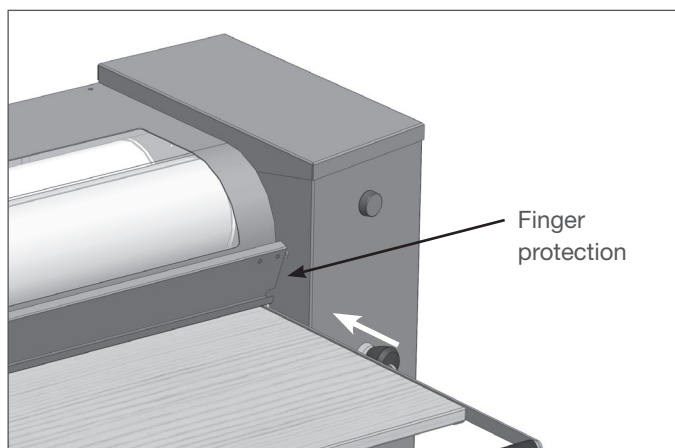
### Manoeuvre shield

The cold ironer is operated by the manoeuvre shield. The manoeuvre shield can be placed in three positions. Reverse/release - Stop - Start/forward



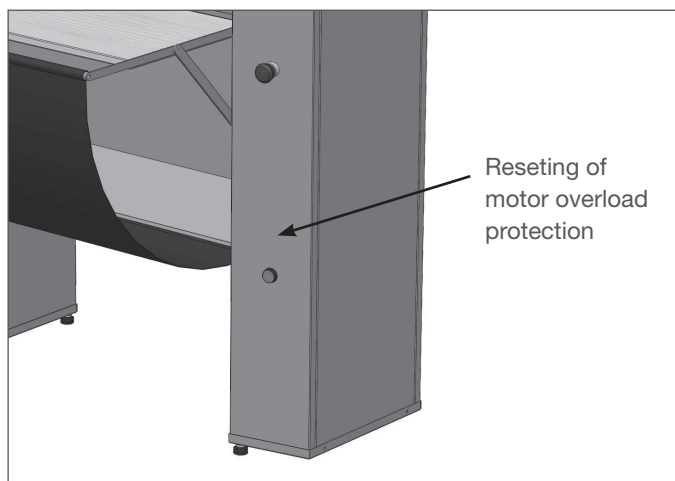
### Finger protection

The manoeuvre shield is also working as finger protection for the user. If the shield is flipped down to close to the rollers, the rollers immediately stop. When flipped back to the forward position, the rollers move again.



### Motor protection

If the motor is overloaded it will stop. Press the button for overload protection to restart the motor.





## Before you start

To achieve the best possible result when ironing, the laundry shall be lightly moist. Never iron textiles with buttons, zippers etc.

## Start

Make sure that the power switch is on. Decide which type of ironing method to use by consulting the section “Cold ironing techniques”

Flip down the manoeuvre shield and let the moving rollers grab your textiles. Keep the textiles and the iron cloth tensioned during the complete process.

In you want to pause the process flip the manoeuvre shield up to the position Stop.

When the complete textile is fed into the rollers, let the cold ironer work for 2-3 minutes (skip this step when ironing using the technique “Ironing without iron cloth”).

## Stop

Flip the manoeuvre shield up to the horizontal position to make the rollers stop. This stop function should not be confused with the finger protection function.

## Reverse/release

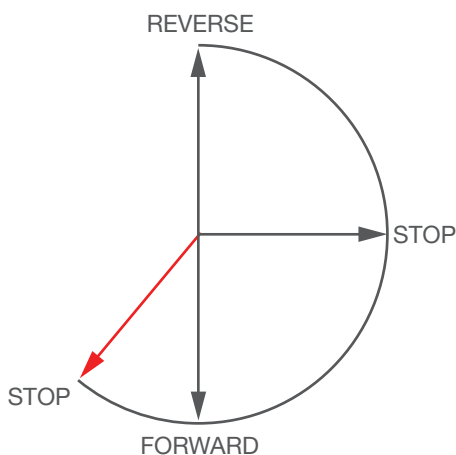
When the manoeuvre shield is flipped to the position, Reverse/release the cold ironer reverse. After a few seconds the rollers separate, and the textiles can easily be taken out.

## When you are finished

Always leave the iron cloth to dry freely in the collecting tray under the feeding table.

Leave the manoeuvre shield in the horizontal position, Stop.

Turn off the power switch.



## Cold ironing techniques

There are several techniques to use when cold ironing. In the section below we present the most common techniques.

### Cold ironing on the inside of the iron cloth

Napkins, towels and other small to normal sized textiles are ironed inside the iron cloth. The iron cloth is pulled out entirely. Place the textile on the iron cloth, close to the rollers. Flip the manoeuvre shield down to the position, Start/forward. Feed the textile into the iron cloth, evenly. Iron the textile for 2-3 minutes.

### Cold ironing on the outside of the iron cloth

Larger textiles such as bed linens, table cloths etc. are ironed on the outside of both roller and iron cloth. The iron cloth should be wrapped around the roller. Make sure that the iron cloth is fed onto the roller evenly. Leave a few decimeters of iron cloth out, to attach the textile to be ironed. Place the textile directly on the iron cloth that is sticking out. Flip the manoeuvre shield down to the position, Start/forward. The top part of the textile is fed into the iron cloth and the rest of the textile wraps around the outside of the rollers. Pull gently on the textile to reduce wrinkles.

### Cold ironing without the iron cloth

Very large textiles should be ironed with the iron cloth completely wrapped around the rollers. Place the textile between the roller with the iron cloth and the aluminium roller below. The textile is ironed and falls down into the collecting tray under the feeding table. Repeat the procedure until satisfaction.

## If the cold ironer stops

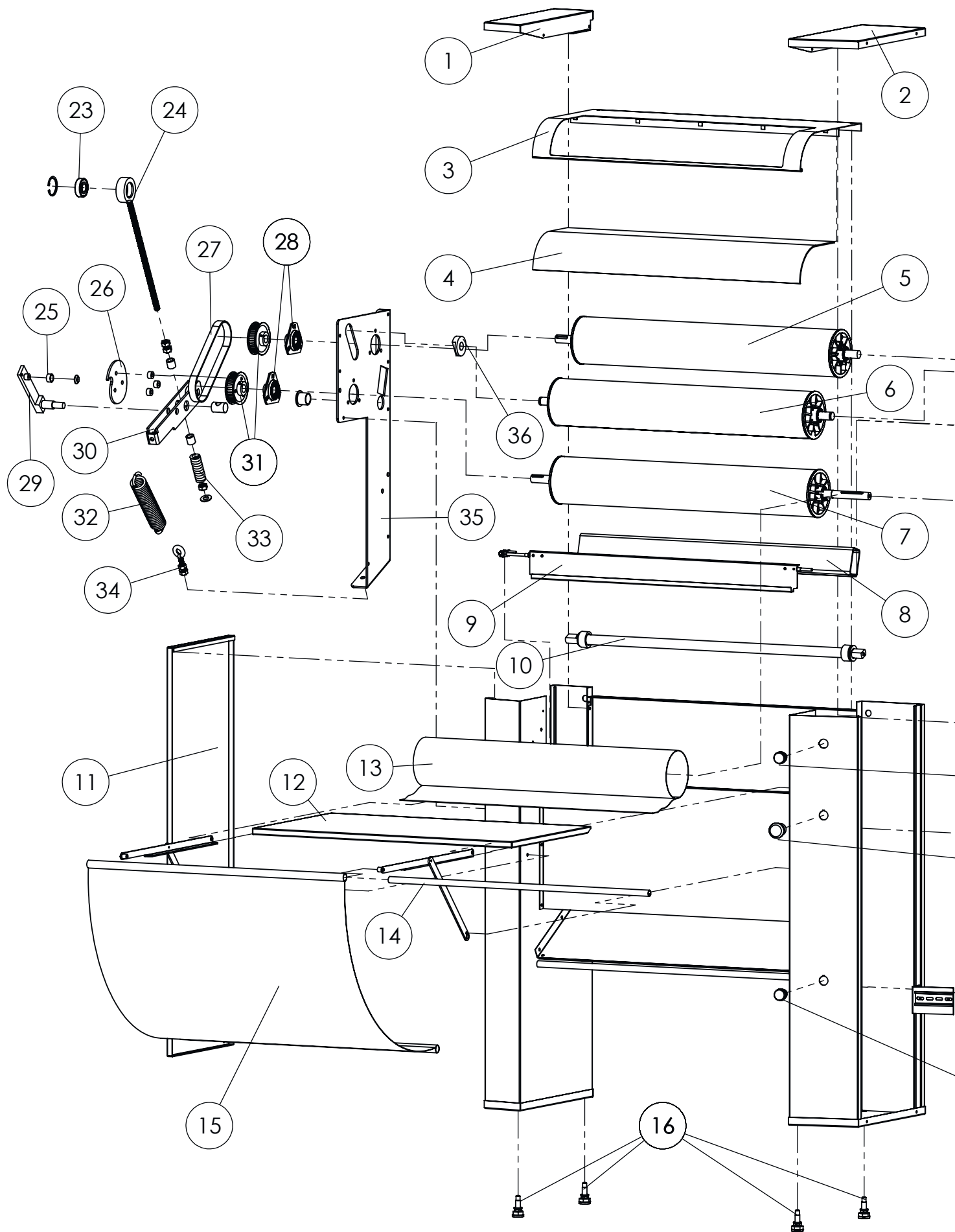
The cold ironer stops if it is overloaded. Follow the instructions below; if the cold ironer stops during the process of ironing or if the rollers does not move when using the manoeuvre shield.

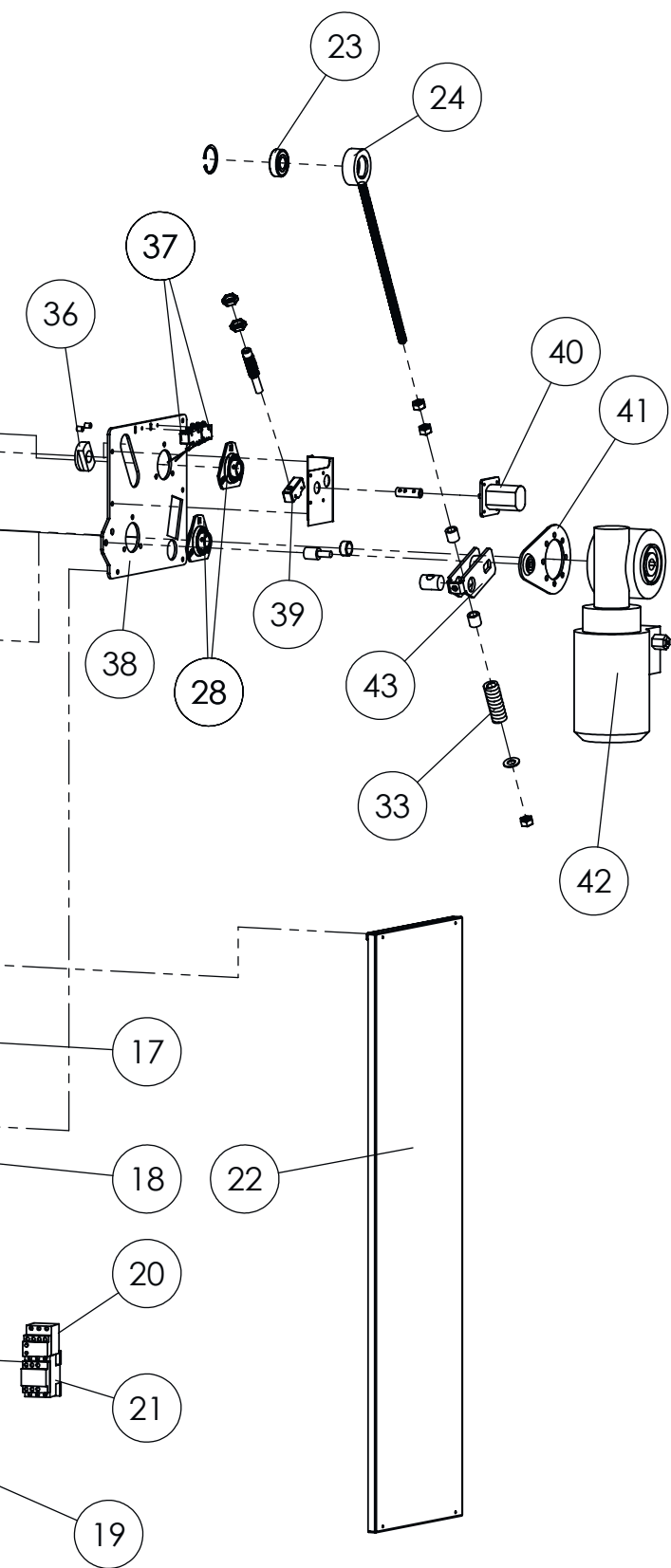
- The cold ironer is equipped with an input stop. When the rollers are overloaded with textiles, the cold ironer stops. Flip up the manoeuvre shield to the position, Reverse/release. Remove the textiles by hand. Iron less textiles or change ironing technique and try again.
- If what stated above does not work, the motor might be overloaded. This occurs when too heavy textiles are fed into the rollers. To reset the motor overload protection, push the blue button on the right side of the ironer.
- If none of the above works. Check the emergency stop. Reset the emergency stop by turning the handle clock-wise.

## WARNING

**Do not reach for or touch the rollers when they are moving or when they are stopped. - Risk for severe squeezing. Do not allow children to play on or around the cold ironer. DO NOT bypass any safety devices.**

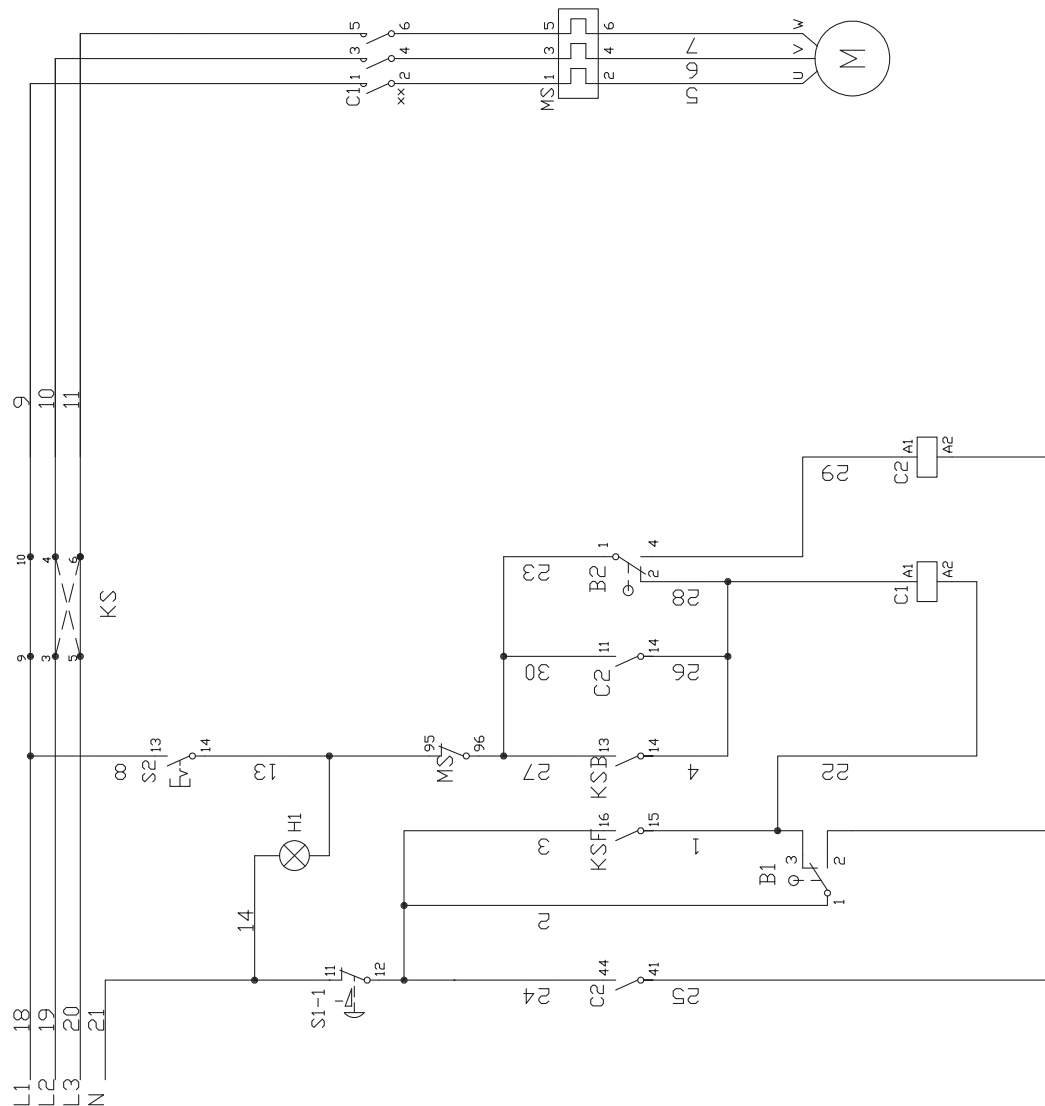
# Spare parts list





Nr	Art Nr	Description
1	7580	Left lid
2	7581	Right lid
3	7582	Top
4	7583	Plexiglas
5	7510	Top roll
6	7511	Cloth roll
7	7512	Motor roll
8	7584	Beam
9	7585	Door
10	7586	Shaft
11	7587	Side panel left
12	7545	Cloth table
13	E200010	Cloth
14	7542	Rod
15	7539	Nylon cloth
16	7517	Foot
17	7547	Switch button, green
18	7548	Emergency stop button
19	7549	Thermal protection button
20	7588	Thermal protection motor 1-1,7A
21	504142	Contacteur 230V 12A
22	7589	Side panel right
23	7526	Ball bearing 6204
24	7590	Support bearing
25	7591	Catch bushing
26	7573	Catch disc
27	7532	Belt
28	7514	Bearing
29	7572-2	Catch
30	7592	Shaft
31	7534	Belt pulley
32	7593	Spring
33	7594	Spring
34	7595	Support
35	7596	Roll support left
36	7597	Roll bushing
37	7598	Micro switch
38	7599	Roll support right
39	7560	Micro switch
40	7561	Support
41	7562	Motor support
42	7515	Motor, including gearbox
43	7563	Support

# Electrical drawing



M	MOTOR
MS	MOTOR PROTECTION
C1	CONTACTOR
C2	RELAY OVERLOADED
KS	SWITCH
KSF	SWITCH FORWARD
KSB	SWITCH REVERSE
S1-1	EMERGENCY STOP
S2	POWER SWITCH
B1	MICRO SWITCH
B2	MICRO SWITCH OVERLOADED
H1	LAMP







## SERVICE/SUPPORT

Phone +46 31-752 01 00

Fax +46 31-752 01 50

E-mail [parts@podab.se](mailto:parts@podab.se)

[www.podab.se](http://www.podab.se)



AB PODAB, Ekonomivägen 9, 436 33 Askim, SWEDEN  
Tel +46 (0)31-752 01 00, Fax +46 (0) 31-752 01 50 E-post: [sales@podab.se](mailto:sales@podab.se), [www.podab.se](http://www.podab.se)

©PODAB 2018-08-15